

# Model : F09A-12B9S6 \*A(CX)



## CPU Cooler

For 775-land Package  
Single Speed Fan

### ▼ General Specification

<b>Material</b>	Housing, Impeller	: Plastics (UL:V-0)
	Heatsink	: Aluminum
	Bearing	: <b>NBRX</b> ™ type
<b>Protection</b>		: Current limit
<b>Operating Voltage Range</b>		: 10.8V ~ 13.2V
<b>Operating Temperature Range</b>		: 0°C ~ 70°C
<b>Life Expectancy</b>		: 57,000h at 45°C
<b>Mass</b>		: 220g MAX.

### ▼ Specification

Rated Voltage (V)	Rated Current (A)*	Rated Input Power (W)*
12	0.1	1.2

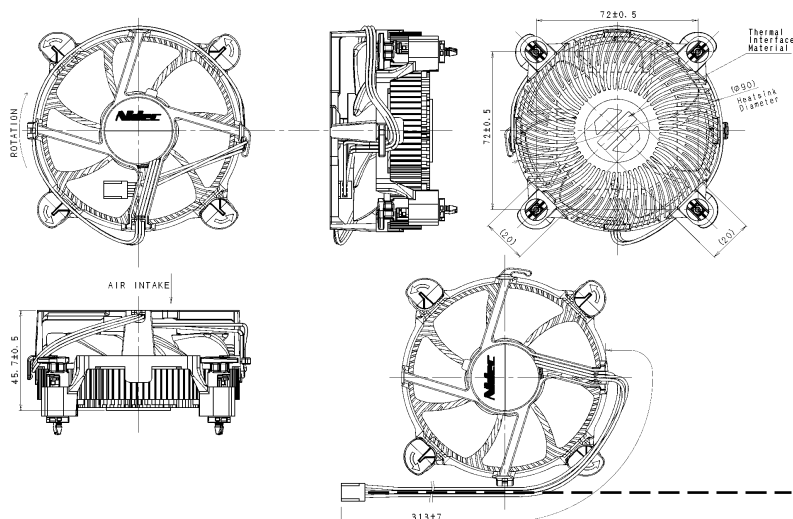
Rated Speed (min <sup>-1</sup> )	Sound Level dB(A)**	Thermal Resistance (°C/W)
2000	22.0	0.655

(Note) The data shows typical value at rated voltage.

\* RMS value.

\*\* Sound Level is measured at the distance of 1 meter from the axis of fan intake.

### ▼ External Dimensions



<b>Connector</b>	: Molex 22-01-3037 or Equivalent
<b>Pins</b>	: 5159PBT or Equivalent
<b>Black</b>	: Ground
<b>Yellow</b>	: Rated Voltage
<b>Green</b>	: Tachometer
<b>Lead wire</b>	: AWG 26 , UL1430

Specification is subject to change for improvement without notice.

**Nidec** is a registered trademark or a trademark of Nidec Corporation in Japan, the United States and / or certain other countries.

**All for dreams** is a registered trademark of Nidec Corporation in Japan, and a trademark in the United States and / or certain other countries.

**NBRX** is a registered trademark of Nidec Corporation in Japan, and a trademark in the United States and / or certain other countries.