

Model : F09A-12B11S2 *AC2H3(CX)



CPU Cooler

For 775-land Package
Variable Speed Fan
(PWM and temperature controlled)

General Specification

Material	Housing, Impeller	: Plastics (UL:V-0)
	Heatsink	: (Fin) Aluminum + (Core) Copper
	Bearing	: NBRX type
Protection		: Current limit
Operating Voltage Range		: 10.8V ~ 13.2V
Operating Temperature Range		: 0°C ~ 70°C
Life Expectancy		: 57,000h at 45°C
Mass		: 300g MAX.

Specification

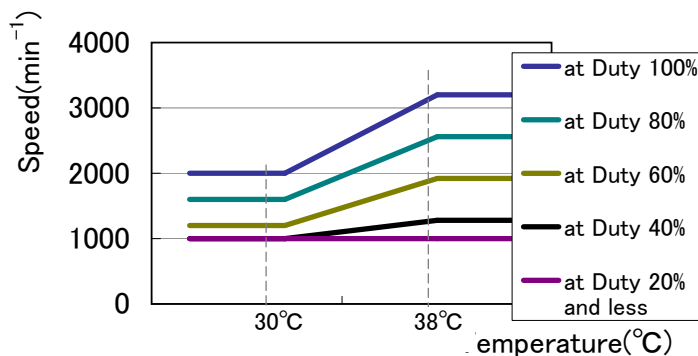
Rated Voltage (V)	Rated Current (A)*	Rated Input Power (W)*
12	0.2	2.4

Rated Speed (min ⁻¹)	Sound Level dB(A)**	Thermal Resistance (°C/W)
2000	20.0	0.436
3200	35.0	0.331

(Note) The data shows typical value at rated voltage.

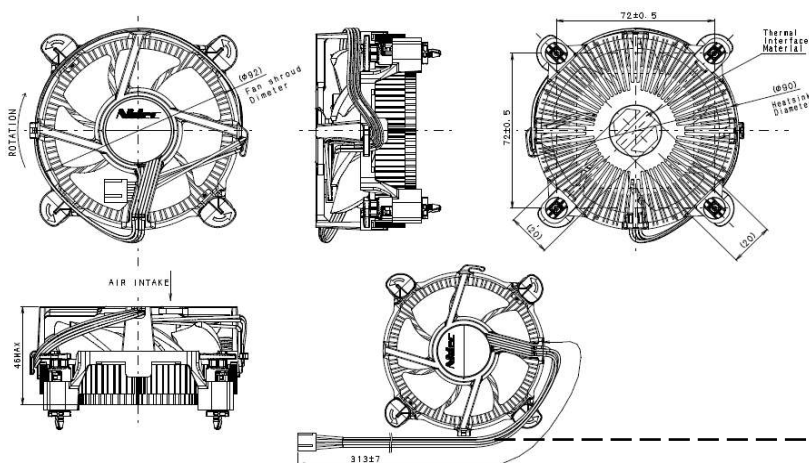
* RMS value.

** Sound Level is measured at the distance of 1 meter from the axis of fan intake.



● Temperature - Fan Speed Characteristics (at Duty Cycle)

External Dimensions



Connector	: Molex 47054-1000 or Equivalent
Pins	: 5159PBT or Equivalent
Black	: Ground
Yellow	: Rated Voltage
Green	: Tachometer
Blue	: Speed Control
Lead wire	: AWG 26, UL1430

Specification is subject to change for improvement without notice.

Nidec is a registered trademark or a trademark of Nidec Corporation in Japan, the United States and / or certain other countries.

All for dreams is a registered trademark of Nidec Corporation in Japan, and a trademark in the United States and / or certain other countries.

NBRX is a registered trademark of Nidec Corporation in Japan, and a trademark in the United States and / or certain other countries.