

Model : F08E-12B1S1 *AC1H1



CPU Cooler

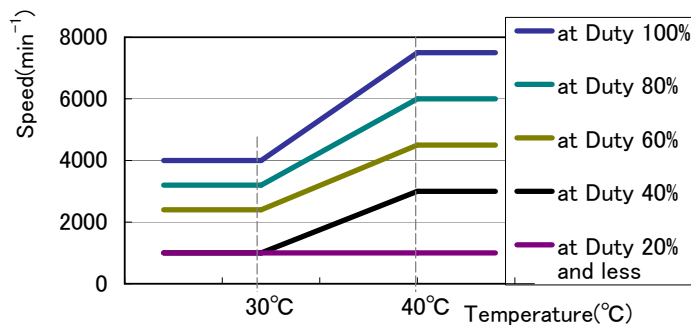
For Server Processor in the 771-land Package
Variable Speed Fan
(PWM and temperature controlled)
This model can be used for both 1U and 2U servers.

▼ General Specification

Material	Housing, Impeller	: Plastics (UL:V-0)
	Heatsink	: Copper
	Bearing	: 2 Ball Bearing type
Protection		: Current limit
Operating Voltage Range		: 10.8V ~ 13.2V
Operating Temperature Range		: 0°C ~ 70°C
Life Expectancy		: 80,000h at 45°C
Mass		: 800g MAX.

▼ Specification

Rated Voltage (V)	Rated Current (A)*	Rated Input Power (W)*
12	1.1	13.2
Rated Speed (min ⁻¹)	Sound Level dB(A)**	Thermal Resistance (°C/W)
4000	41.0	0.306
7500	59.0	0.229



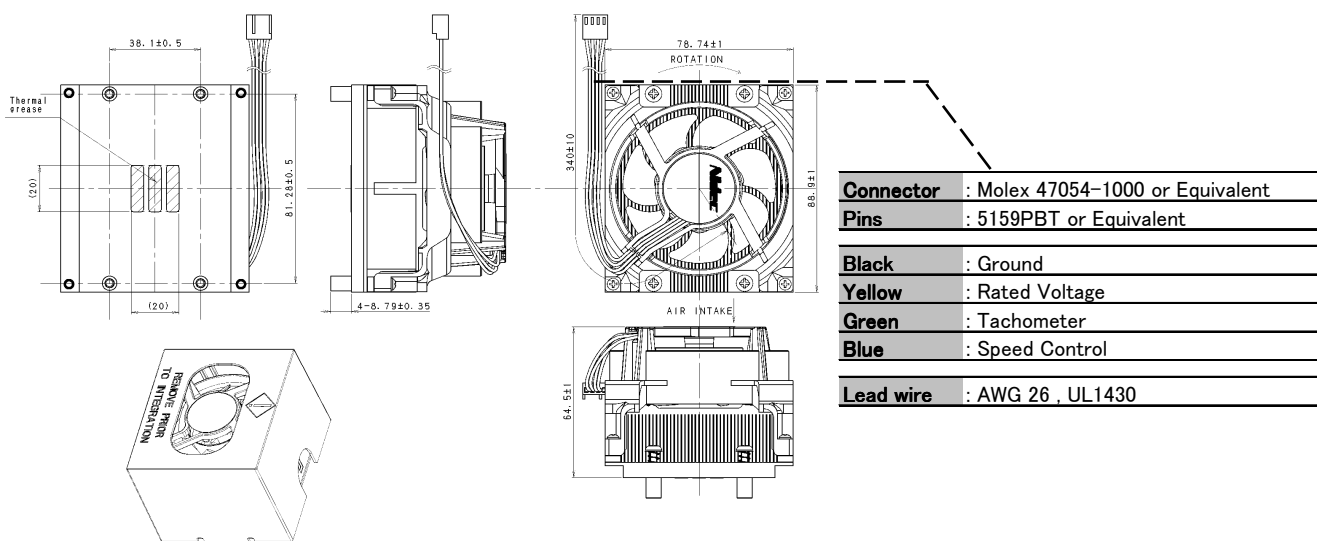
(Note) The data shows typical value at rated voltage.

* RMS value.

** Sound Level is measured at the distance of 1 meter from the axis of fan intake.

● Temperature - Fan Speed Characteristics (at Duty Cycle)

▼ External Dimensions



Specification is subject to change for improvement without notice.

Nidec is a registered trademark or a trademark of Nidec Corporation in Japan, the United States and / or certain other countries.

-All for dreams is a registered trademark of Nidec Corporation in Japan, and a trademark in the United States and / or certain other countries.