

Model : F60T12BS1A5-57***B*



CPU Cooler

For LGA1366
PWM controlled Fan

▼ General Specification

Material	Housing, Impeller	: Plastics (UL:V-0)
	Heatsink	: Aluminum
	Bearing	: 2 Ball Bearing type
Protection		: Current limit
Operating Voltage Range		: 10.8V ~ 13.2V
Operating Temperature Range		: 0°C ~ 70°C
Life Expectancy		: 80,000h at 45°C
Mass		: 500g MAX.

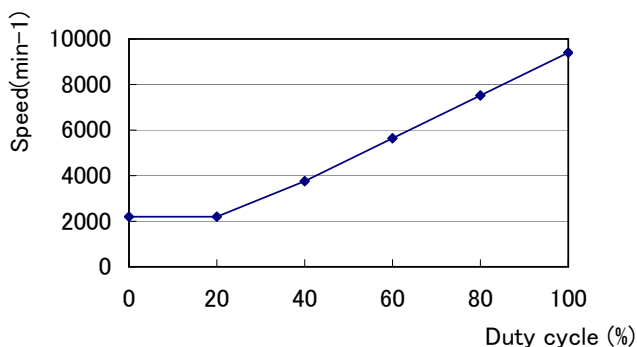
▼ Specification

Rated Voltage (V)	Rated Current (A)	Rated Input Power (W)
12	0.64	7.7

Rated Speed (min ⁻¹)	Sound Level B(A)*	Thermal Resistance (°C/W)
9400	6.9	0.375

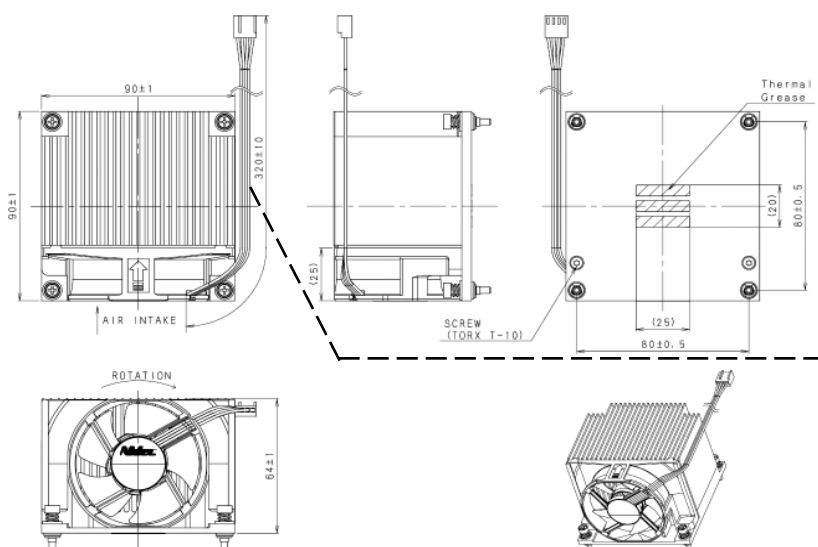
(Note) The data shows typical value at rated voltage.

* Sound Level is measured by sound power system.



●Duty cycle - Fan Speed Characteristics

▼ External Dimensions



Connector	: Molex 47054-1000 or Equivalent
Pins	: 5159PBT or Equivalent
Black	: Ground
Yellow	: Rated Voltage
Green	: Tachometer
Blue	: Speed Control
Lead wire	: AWG 26 , UL1430

Specification is subject to change for improvement without notice.

Nidec is a registered trademark or a trademark of Nidec Corporation in Japan, the United States and / or certain other countries.

All for dreams is a registered trademark of Nidec Corporation in Japan, and a trademark in the United States and / or certain other countries.

NBRX is a registered trademark of Nidec Corporation in Japan, and a trademark in the United States and / or certain other countries.