

Model : F90T12MS1Z7-64***A1



CPU Cooler

For 1156-land Package
Variable Speed Fan
(PWM and temperature controlled)

General Specification

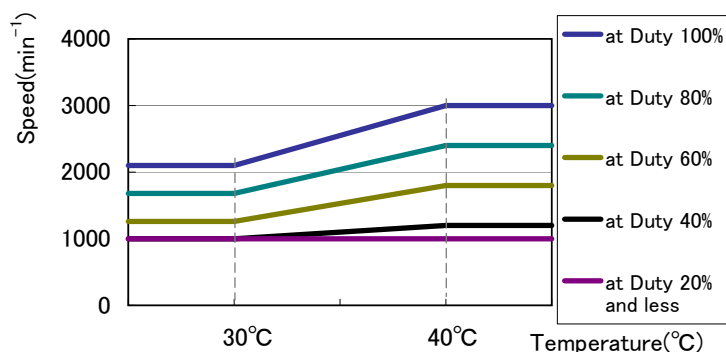
Material	Housing, Impeller	: Plastics (UL:V-0)
	Heatsink	: (Fin) Aluminum + (Core) Copper
	Bearing	: NBRX™ type
Protection		: Current limit
Operating Voltage Range		: 10.8V ~ 13.2V
Operating Temperature Range		: 0°C ~ 70°C
Life Expectancy		: 57,000h at 45°C
Mass		: 300g MAX.
Environment		: Lead-Free and Halogen-Free

Specification

Rated Voltage (V)	Rated Current (A)	Rated Input Power (W)
12	0.2	2.4

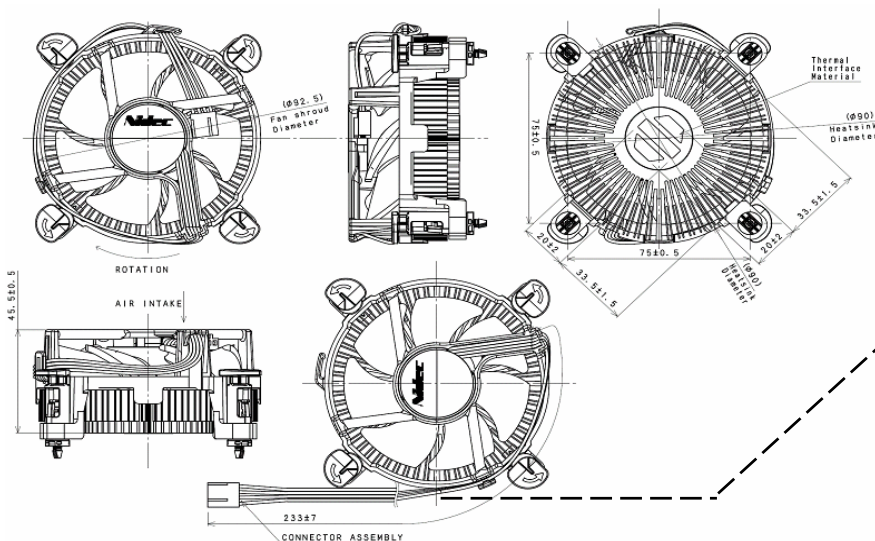
Rated Speed (min ⁻¹)	Sound Level B(A)*	Thermal Resistance (°C/W)**
2100	3.5	0.420
3000	4.5	0.356

(Note) The data shows typical value at rated voltage.
* Sound Level is measured by sound power system.
** At 90% of nominal Fan Speed.



● Temperature - Fan Speed Characteristics (at Duty Cycle)

External Dimensions



Connector	: Molex 47054-1000 or Equivalent
Pins	: 08-70-0048 or Equivalent
Black	: Ground
Yellow	: Rated Voltage
Green	: Tachometer
Blue	: Speed Control
Lead wire	: AWG 26 , UL3385

Specification is subject to change for improvement without notice.

Nidec is a registered trademark or a trademark of Nidec Corporation in Japan, the United States and / or certain other countries.
-All for dreams is a registered trademark of Nidec Corporation in Japan, and a trademark in the United States and / or certain other countries.
NBRX is a registered trademark of Nidec Corporation in Japan, and a trademark in the United States and / or certain other countries.