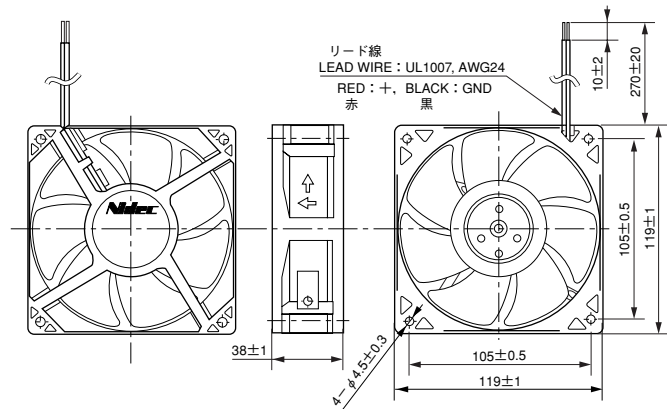


# D12E (A) シリーズ



## ●外形図 External Dimensions



使用材料   ハウジング：アルミニウム  
               インペラー：プラスチック (UL : V-0)  
               軸受：ボールベアリング

保護方法         電流制限  
 使用温度範囲     -10℃～70℃  
 質量               350g

HOUSING         : Aluminum  
 IMPELLER       : Plastic (UL : V-0)  
 BEARING         : Ball bearing  
 PROTECTION     : Current limit  
 OPERATING TEMP : -10℃～70℃  
 MASS             : 350g

## ■特性 Major Characteristic Parameters

(注) データは定格電圧での代表特性です。  
 (Note) The data shows typical value at rated voltage.

| Model         | Rated Voltage (V) | Rated Current (A)① | Maximum Air Flow (m³/min) | Maximum Static Pressure (Pa) | Rated Input Power (W)① | Sound Level (dBA)② | Rated Speed (min⁻¹) |
|---------------|-------------------|--------------------|---------------------------|------------------------------|------------------------|--------------------|---------------------|
| D12E-12PL (A) | 12                | 0.25               | 2.3                       | 39                           | 3.00                   | 33                 | 2000                |
| D12E-24PL (A) | 24                | 0.18               | 2.3                       | 39                           | 4.32                   | 33                 | 2000                |
| D12E-12PM (A) | 12                | 0.4                | 2.6                       | 51                           | 4.80                   | 37                 | 2300                |
| D12E-24PM (A) | 24                | 0.25               | 2.6                       | 51                           | 6.00                   | 37                 | 2300                |
| D12E-12PH (A) | 12                | 0.5                | 3.0                       | 69                           | 6.00                   | 42                 | 2700                |
| D12E-24PH (A) | 24                | 0.32               | 3.0                       | 69                           | 7.68                   | 42                 | 2700                |
| D12E-12PG (A) | 12                | 0.8                | 3.7                       | 82                           | 9.60                   | 49                 | 3200                |
| D12E-24PG (A) | 24                | 0.43               | 3.7                       | 82                           | 10.32                  | 49                 | 3200                |

① RMS value.

② Sound level is measured at the distance of one (1) meter from the axis of fan intake.

① RMS 値

② 吸込側表面から 1m にて測定

## ●特性グラフ Performance Curves

